



our light ... natural as the sun

krila[®] d e s i g n

LIGHTING



Contents

Preface	pag. 3
Playground collection	pag. 6
Essenza collection	pag. 16
Old Age collection	pag. 20
Flat / Giù / Online collections	pag. 26
In&Out collection	pag. 36
Rechargeable collection	pag. 41
Accessories	pag. 53
Legend	pag. 56

krila[®]

d e s i g n

With 40 years of experience in injection molding, we undertook a research and development path, dedicated to the combination of two elements, methacrylate and led, which together create a new concept of "luminous element".

The goal is to offer advanced and sophisticated lighting systems, technologically natural, with low environmental impact and low energy consumption, for indoor and outdoor use.

Our work is also enriched by the collaboration with brilliant designers who come in synergy with our development team, contributing with their vision to the evolution of Kriladesign.

We like to think of it as a "planet of research and creativity," where we share the amazement of a materializing project ... and emotion, the thread that unites us with those who will choose our creations.

kriila®
design



INDOOR LIGHTING



Collection

PLAYGROUND

by Emilia Burchiani

You are never too old to learn... and to play.

Designed by the young talent Emilia Burchiani, from the Marche region, in collaboration with Kriladesign development team. This collection enhances that free and childlike spirit of design, while respecting the "serious" functionality of fixtures.

With this comes a series of lighting fixtures showing no ambition to astonish, but with the warm desire to become part of people's homes.

The playful names of the elements comprising this collection are: Hula, Jive, Lui and Lei, Dada.

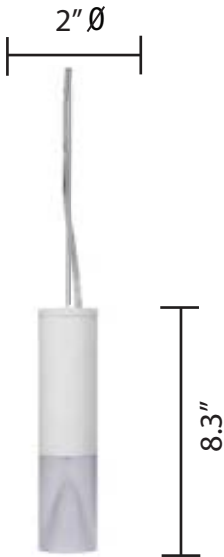
This line delivers solutions for any requirements (ceiling, table or floor). Curves, gentle lines and heart-warming colors let light speak in its purest expression, with a balance of suggestions inspired by movement from both music and dance.

Besides the more classic forms, we offer more whimsical designs for those looking for an unusual hint of playfulness in everyday spaces.

LUI & LEI



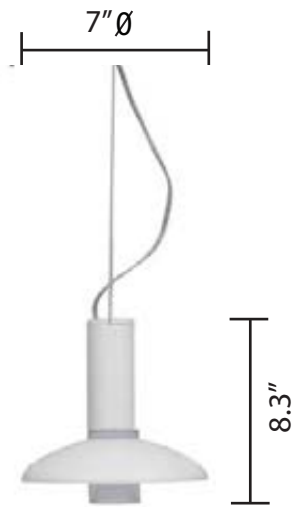
8



3011. LUI pendant

Fixture housing made from aluminum and polycarbonate
 Diffuser made from polymethylmethacrylate (PMMA)

Featuring Kriladesign's patented natural refraction system
 Constant current LED board, max 700mA
 Neutral White (4000 K) LED (from 2700 to 5700)
 Max power 6,1W
 Max lumen 960lm
 Line voltage 100-240 VAC Frequency 50/60 HZ



3012. LEI pendant

Color

Fixture housing made from aluminum and polycarbonate
 Diffuser made from polymethylmethacrylate (PMMA)

1

Featuring Kriladesign's patented natural refraction system
 Constant current LED board, max 700mA
 Neutral White (4000 K) LED
 (from 2700 to 5700)
 Max power 6,1W
 Max lumen 960lm
 Line voltage 100-240 VAC
 Frequency 50/60 HZ



Color

1



H U L A

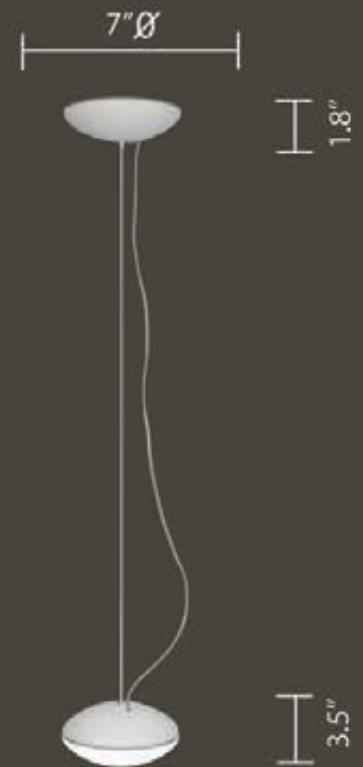
3009. HULA pendant

Fixture housing made from aluminum and polycarbonate
Diffuser made from polymethylmethacrylate (PMMA)

Featuring Kriladesign's patented natural refraction system
Constant current LED board, max 700mA
Neutral White (4000 K) LED (from 2700 to 5700)
Max power 6,1W
Max lumen 960lm
Line voltage 100-240 VAC Frequency 50/60 HZ

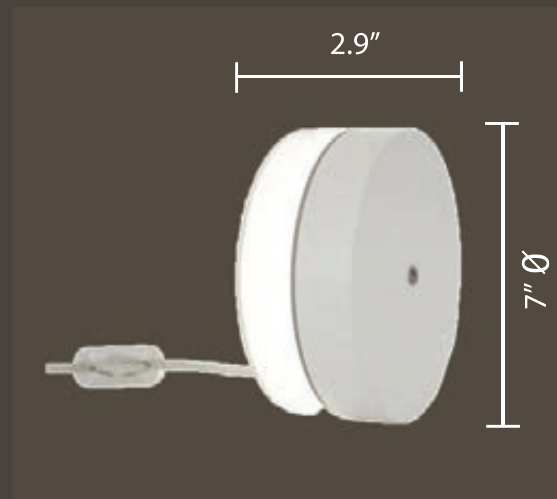
Color

1



JIVE





1014. JIVE table lamp

Fixture housing made from aluminum and polycarbonate
Diffuser made from polymethylmethacrylate (PMMA)

Featuring Kriladesign's patented natural refraction system
Constant current LED board, max 700mA
Neutral White (4000 K) LED (from 2700 to 5700)
Max power 6,1W
Max lumen 960lm
Line voltage 100-240 VAC Frequency 50/60 HZ
12W AC-DC Reliable Wall-mounted
interchangeable type green adaptor - P1J plug

Color

1



3010. JIVE pendant

Fixture housing made from aluminum and polycarbonate
Diffuser made from polymethylmethacrylate (PMMA)

Featuring Kriladesign's patented natural refraction system
Constant current LED board, max 700mA
Neutral White (4000 K) LED (from 2700 to 5700)
Max power 6,1W
Max lumen 960lm
Line voltage 100-240 VAC Frequency 50/60 HZ

Color

1



D A D A

1018. DADA table lamp

Fixture housing made from aluminum and polycarbonate
 Diffuser made from polymethylmethacrylate (PMMA)

Featuring Kriladesign's patented natural refraction system

Constant current LED board, max 700mA

Neutral White (4000 K) LED
 (from 2700 to 5700)

Max power 6,1W

Max lumen 960lm

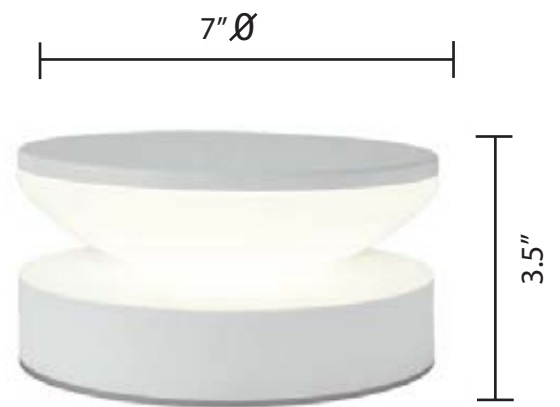
Line voltage 100-240 VAC

Frequency 50/60 HZ

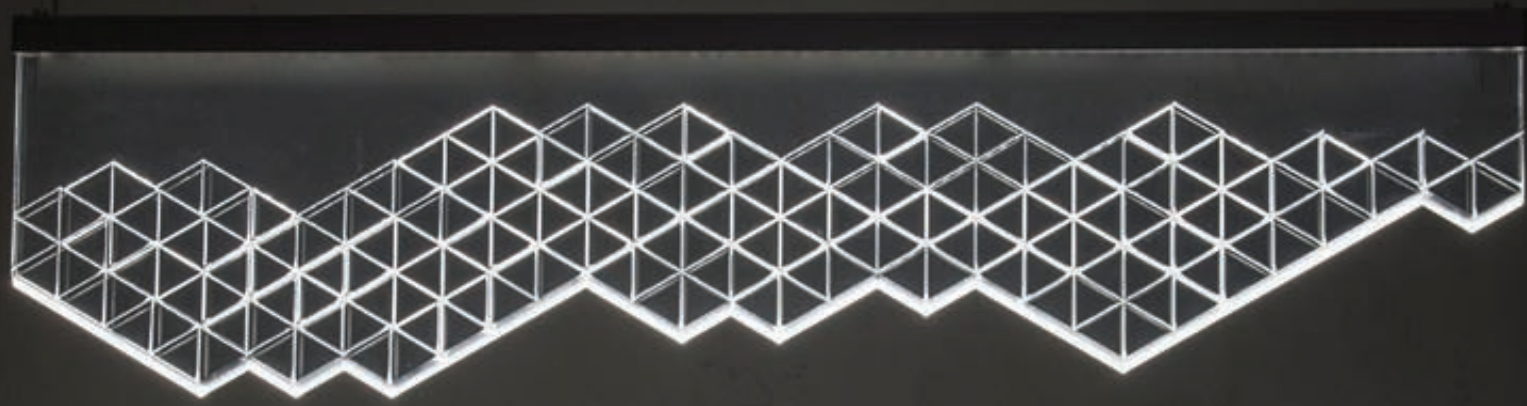
12W AC-DC Reliable Wall-mounted
 interchangeable type green adaptor
 P1J plug

Color

1



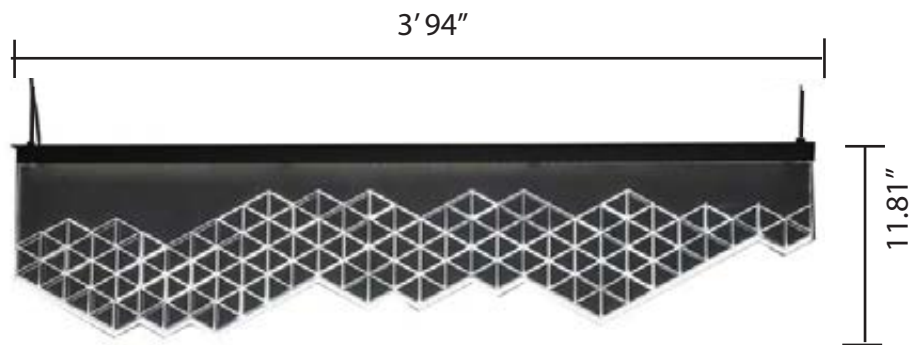
kriila®
design



the essence of light

... a blade of light. From a subtle metal profile a plexiglas slab shows out and its manufacturing is designed to spread out in the environment the highest quantity of light in the best and most efficient way. The play of geometries placed asymmetrically on the two sides of the slab, contributes to enhance not only the sparkling effect but the depth one as well. Pure luminous essence.

ESSENZA



3006. ESSENZA 120 pendant with control unit

Fixture housing made from aluminum and transparent polymethylmethacrylate
 Diffuser made from polymethylmethacrylate (PMMA)
 Thickness 1.18"

Color

3

5

7

Featuring Kriladesign's patented natural refraction system
 Total power consumption 33 W
 Neutral White (from 3000 to 5700K) LED
 3000 Lumens
 Line voltage 100-240 VAC
 Frequency 50/60 HZ



3007. ESSENZA 80 pendant with control unit

Fixture housing made from aluminum and transparent polymethylmethacrylate
 Diffuser made from polymethylmethacrylate (PMMA)
 Thickness 1.18"

Featuring Kriladesign's patented natural refraction system
 Total power consumption 22 W
 Neutral White (from 3000 to 5700K) LED
 2000 Lumens
 Line voltage 100-240 VAC
 Frequency 50/60 HZ

Color

3

5

7





The chandelier with
timeless charm

The flow of time, the settling of remembrance, the wisdom acquired: here are the elements that this project encloses and expresses.

It revamps those classical chandeliers, with curved shapes displaying candles.

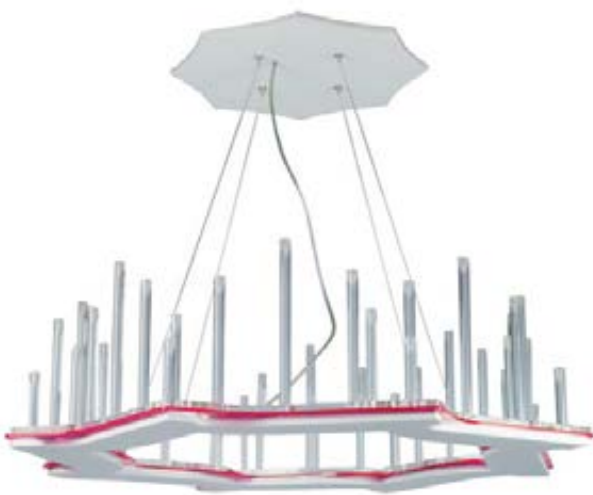
The reinterpretation involves a design of laser cut sinuous curves and transparent plexiglas cylinders provided with a special diffusor recalling the idea of a candle.

The indirect light Old Age spreads is generated by the numerous LED with temperature control.

W
G
A
D
L
O



2'96" Ø



3001. OLD AGE 90 pendant with control unit

Fixture housing made from aluminum and transparent/white/fluo polymethylmethacrylate
 Diffuser made from polymethylmethacrylate (PMMA)
 Candles from h 3.17" to h 9.1"

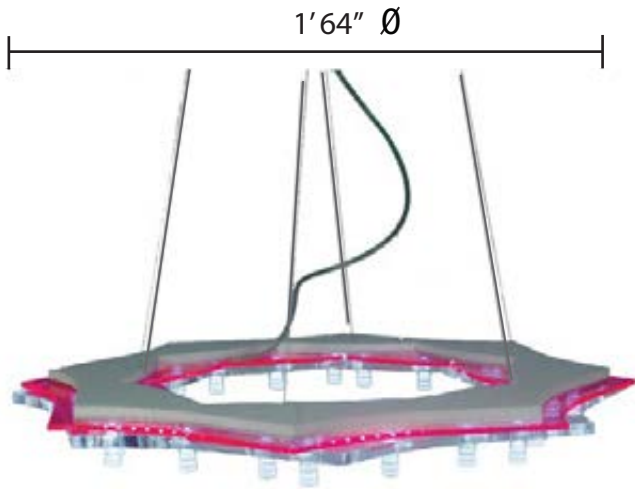
Featuring Kriladesign's patented natural refraction system
 Total power consumption 44 W
 Neutral White (from 3000 to 5700K) LED
 4000 Lumens
 Line voltage 100-240 VAC
 Frequency 50/60 HZ

Color

1

2

10



3002. OLD AGE 50 pendant with control unit

Fixture housing made from aluminum and transparent/white/fluo polymethylmethacrylate
 Diffuser made from polymethylmethacrylate (PMMA)
 Candles from h 2.36"

Featuring Kriladesign's patented natural refraction system
 Total power consumption 22 W
 Neutral White (from 3000 to 5700K) LED
 2000 Lumens
 Line voltage 100-240 VAC
 Frequency 50/60 HZ

Color

1

2

10



kriila®
design

OUTDOOR LIGHTING



krila[®]
d e s i g n



Collection

O OUTDOOR

by Kriladesign

Our outdoor proposals offer two solutions combining shapes, functionality and durability. The aim is to meet a crucial demand: implementing a concept "beyond", using indirect lighting systems able to render the luminous perception as close as possible to the light of the sun, as far as possible from artificiality.

While studying outdoor projects, special attention is devoted to climate and atmospheric factor (for instance, sudden changes in temperature), in order to optimize functionality and let the device performance positively and promptly respond to the surrounding environment and to external variables.

Both patented systems, property of Kriladesign, make use of a reflected light and allow its uniform diffusion and extraction, with no glare. In this way you can have the highest output together with an extraordinary natural tone. All this is expressed in the proposals for outdoor columns and in the wall light of the FLAT, ONLINE and GIU' lines.

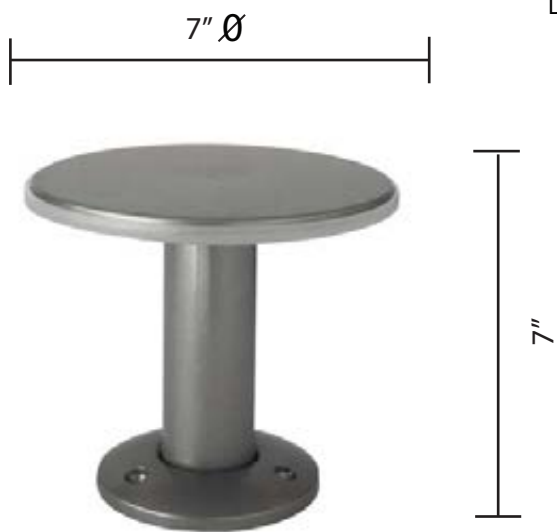


FLAT



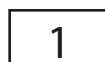
5003. FLAT walkover light

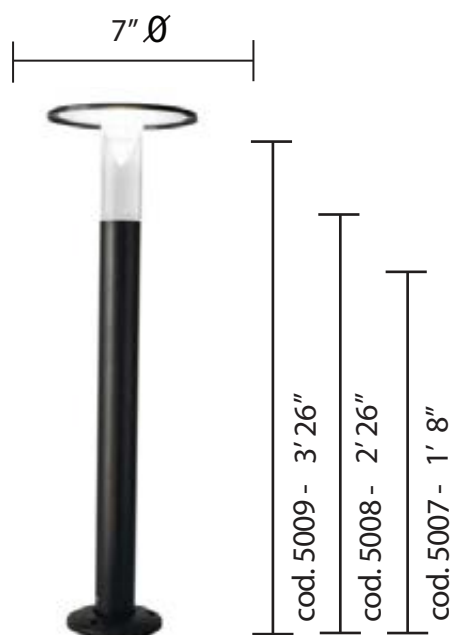
Fixture housing made from aluminum and polycarbonate
Diffuser made from polymethylmethacrylate (PMMA)
Column d 2"



Featuring Kriladesign's patented natural refraction system
Max power 8 W
2700-4000 K LED
Max lumen 900lm
AC LED board, 110-120 VAC

Color





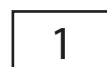
5007. FLAT bollard lamp

Fixture housing made from aluminum and polycarbonate
 Diffuser made from transparent polymethylmethacrylate (PMMA)
 Column d 2"

Featuring Kriladesign's patented natural refraction system
 Constant current LED board, max 700mA
 Neutral White (4000 K) LED (from 2700 to 5700)
 Max power 6,1W
 Max lumen 960lm
 Line voltage 100-240 VAC Frequency 50/60 HZ

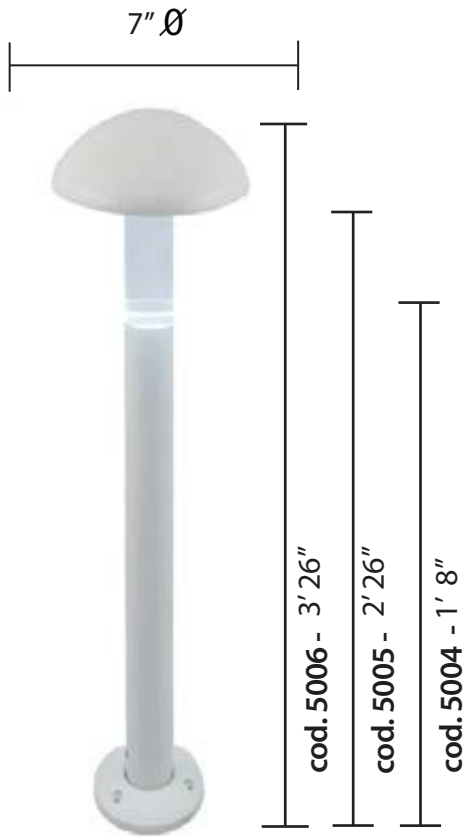


Color





GIU'



5004. GIU' bollard lamp

Fixture housing made from aluminum and polycarbonate
 Diffuser made from transparent polymethylmethacrylate (PMMA)
 Column d 2"

Featuring Kriladesign's patented natural refraction system
 Constant current LED board, max 700mA
 Neutral White (4000 K) LED (from 2700 to 5700)
 Max power 6,1W
 Max lumen 960lm
 Line voltage 100-240 VAC Frequency 50/60 HZ

Color



ONLINE



5013. ONLINE 50 outdoor lamp

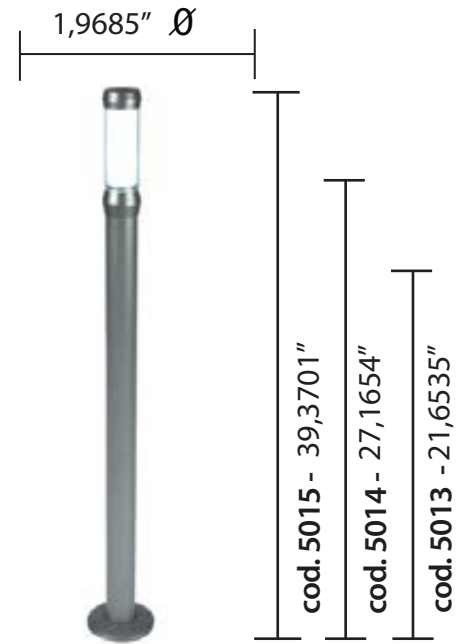
Components made in aluminum
Diffuser in transparent polymethylmethacrylate

Featuring Kriladesign's patented natural refraction system
Constant current LED board, max 700mA
Neutral White (4000 K) LED (from 2700 to 5700)
Max power 6,1W
Max lumen 960lm
Line voltage 100-240 VAC Frequency 50/60 HZ

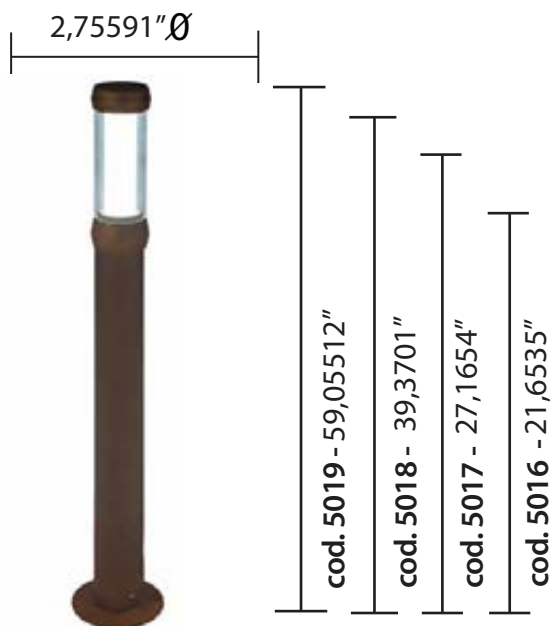
5013.1 ONLINE 50 outdoor lamp

Featuring Kriladesign's patented natural refraction system
Led lamp with GU10 socket - replaceable
Total power consumption from 5,5 to 7,5 W (reccomended)
Neutral White (4000K) LED
From 500 to 700 Lumens (reccomended)
110 VAC 50/60 HZ

Colours



34



5016. ONLINE 70 outdoor lamp

Components made in aluminum
Diffuser in transparent polymethylmethacrylate

Featuring Kriladesign's patented natural refraction system

Constant current LED board, max 700mA

Neutral White (4000 K) LED (from 2700 to 5700)

Max power 6,1W

Max lumen 960lm

Line voltage 100-240 VAC Frequency 50/60 HZ

5016.1 ONLINE 70 outdoor lamp

Led lamp with GU10 socket - replaceable

Total power consumption from 5,5

to 7,5 W(recommended)

Neutral White (4000K) LED

From 500 to 700 Lumens (recommended)

110 VAC 50/60 HZ

Colours

1

4

6

8





5020. ONLINE 70 walkover light

Fixture housing made from aluminum
 Diffuser made from transparent
 polymethylmethacrylate (PMMA)
 Column d 2.76"

Featuring Kriladesign's patented
 natural refraction system
 Led lamp with GU10 socket - replaceable
 Total power consumption from 5,5 to 7,5W
 From 500 to 700 Lumens
 Line voltage 100-240 VAC
 Frequency 50/60 HZ

Color

1

4

6

8



IN&OUT LIGHTING

collection

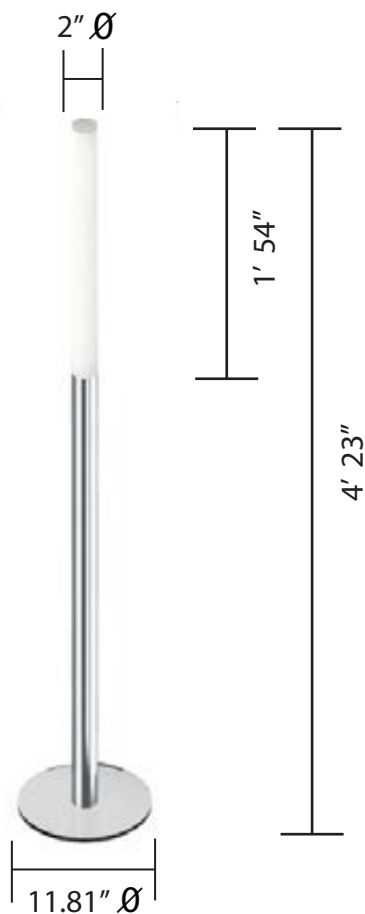
Z E D

by Kriladesign

ZED, a name, a symbol, which brings us back to distant times and civilizations mysteries of the Ancient Egyptians. Its shape has given rise to the most disparate interpretations, but nobody knows its original meaning. One thing is certain, the Zed it symbolizes something solid, lasting, stable, not by chance it is represented as a column that supports the vault of the sky or the sun. It is a symbol of rebirth and above all of energy, the backbone of God Osiris, who for the Egyptians was the channel through which cosmic energy flows that preserves the harmony and balance of life. What better symbol could inspire us?

The ZED design is simple and contemporary, functional and versatile, it adapts to any interior and exterior environment of the home, office and any public place.





4001. ZED floor lamp

Lamp indoor and outdoor
 Fixture housing made from aluminum with PMMA base
 Diffuser made from transparent polymethylmethacrylate (PMMA)
 Column d 2"

Featuring Kriladesign's patented natural refraction system
 Constant current LED board, max 700mA
 Neutral White (4000 K) LED (from 2700 to 5700)
 Max power 6,1W
 Max lumen 960lm
 Line voltage 100-240 VAC Frequency 50/60 HZ
 12W AC-DC Reliable Wall-mounted
 interchangeable type green adaptor - P1J plug

Color



The external Online line has inspired this new indoor and outdoor applique that will be the protagonist in contemporary style environments, where past and present are combined, geometric and linear shapes, precious and innovative materials.

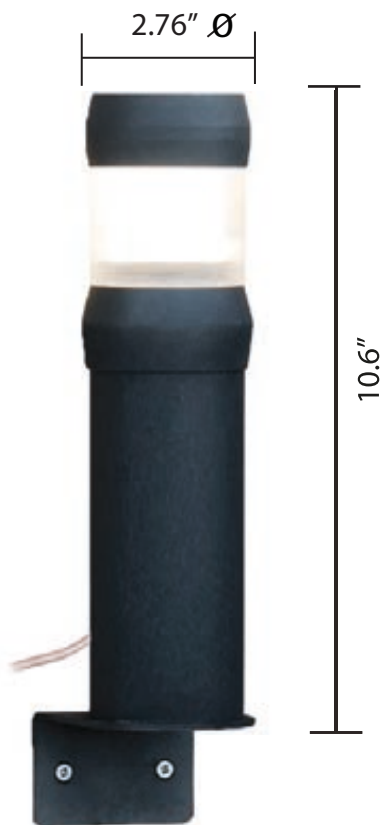
Minimal environments: simple, essential, functional.



Collection

ONLINE

by Kriladesign



2007. ONLINE 70 applique

Fixture housing made from aluminum
 Diffuser made from transparent
 polymethylmethacrylate (PMMA)
 Column d 2.76"

Featuring Kriladesign's patented
 natural refraction system
 Led lamp with GU10 socket - replaceable
 Total power consumption from 5,5 to 7,5W
 From 500 to 700 Lumens
 Line voltage 100-240 VAC
 Frequency 50/60 HZ

Color





RECHARGEABLE
INDOOR/OUTDOOR
LIGHTING



collection MeMe

by Davide Montanaro

An elegant, intimate and cozy mise-en-scène, a collection with an ultra-contemporary concept that replicates, but is never the same, that changes and changes clothes.

This is the new MeMe collection, the result of a perfect synergy between the Kriladesign team and the designer Davide Montanaro.

The three portable and rechargeable lamps are the result of a perfect union between the polymethylmethacrylate and other materials such as wood, PVC and neoprene.

They have a LED illuminated heart with a "touch light dimmer" device that diffuses the same natural light of the Sun. A collection different from all, creative, fancy and elegant, with a unique design, suitable for indoor and outdoor, customizable. They are nice either switched on or off and at the same time they are functional and suitable for the use they are intended for, the MeMe collection lamps are great friends to spend wonderful evenings with or readings in complete relaxation.

Away uncomfortable wires that do not allow you to bring light where you want, a light emanating through a composition of hexagons or colored clothes in neoprene. The collection, versatile and adaptable to different environments, creates cozy atmospheres always in the name of a trendy and studied style.

M E M E



7001. Wood/pmma

Battery lamp

Fixture housing made from Polymethylmethacrylate elements opal / transparent with structure in natural birch wood and pmma
Diffuser made from polymethylmethacrylate (PMMA)

Featuring Kriladesign's patented natural refraction system

Total power consumption 3W

Neutral White (4000 K) LED

300 Lumens

Line voltage 100-240 VAC Frequency 50/60 HZ

Rechargeable led lighting system

with 3.7V battery, replaceable at the end of life

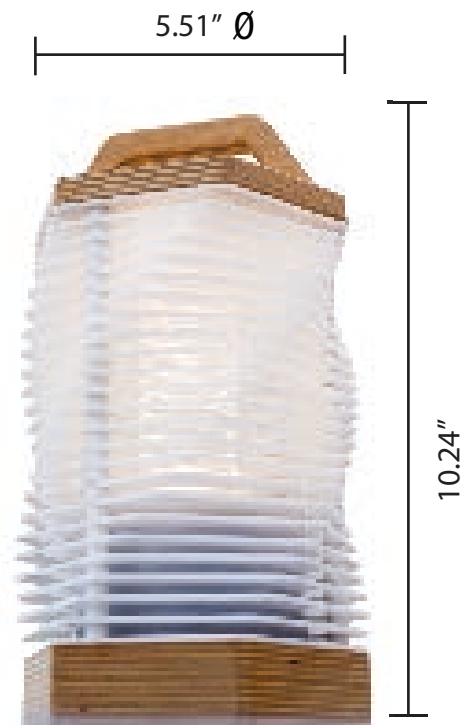
Switch for touch dimmer / variator

light intensity from 20 to 100%

with USB Type-C cable

Autonomy 15h to 20% and 5h to 100%

Charging 5h



Color

A





7002. Pmma/customizable graphics

Battery lamp

Fixture housing made from Polymethylmethacrylate
 elements transparent with graphic decoration
 Diffuser made from polymethylmethacrylate (PMMA)

Featuring Kriladesign's patented natural refraction system

Total power consumption 3W

Neutral White (4000 K) LED

300 Lumens

Line voltage 100-240 VAC Frequency 50/60 HZ

Rechargeable led lighting system

with 3.7V battery, replaceable at the end of life

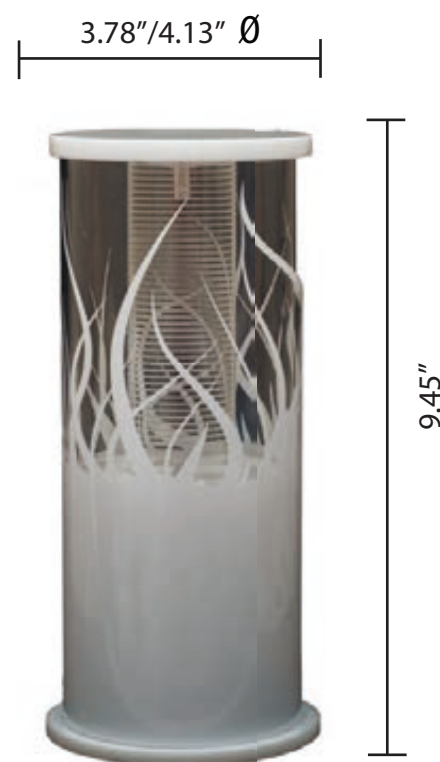
Switch for touch dimmer / variator

light intensity from 20 to 100%

with USB Type-C cable

Autonomy 15h to 20% and 5h to 100%

Charging 5h



Color

1

7003. Neoprene/pmma

Battery lamp

Fixture housing made from Polymethylmethacrylate elements transparent with neoprene cover.
Diffuser made from polymethylmethacrylate (PMMA)

Featuring Kriladesign's patented natural refraction system

Total power consumption 3W

Neutral White (4000 K) LED

300 Lumens

Line voltage 100-240 VAC Frequency 50/60 HZ

Rechargeable led lighting system

with 3.7V battery, replaceable at the end of life

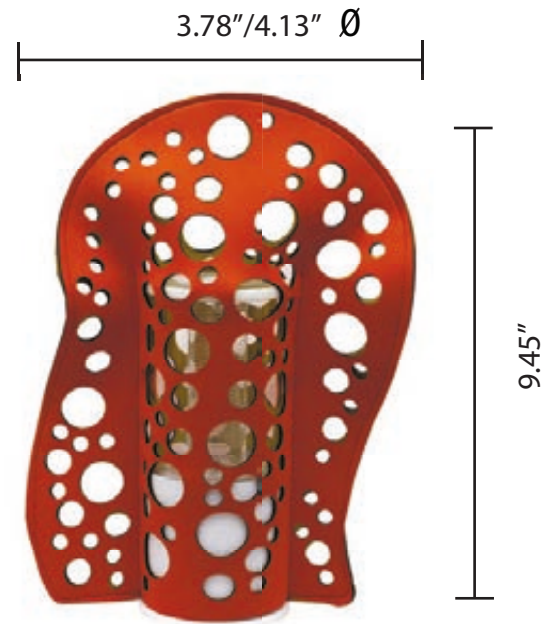
Switch for touch dimmer / variator

light intensity from 20 to 100%

with USB Type-C cable

Autonomy 15h to 20% and 5h to 100%

Charging 5h



Color





GIULIA

7004. Wood/pmma

Battery lamp

Fixture housing made from Polymethylmethacrylate
 elements transparent with structure in oak wood and pmma
 Diffuser made from polymethylmethacrylate (PMMA)

Featuring Kriladesign's patented natural refraction system

Total power consumption 3W

Neutral White (4000 K) LED

300 Lumens

Line voltage 100-240 VAC Frequency 50/60 HZ

Rechargeable led lighting system

with 3.7V battery, replaceable at the end of life

Switch for touch dimmer / variator

light intensity from 20 to 100%

with USB Type-C cable

Autonomy 15h to 20% and 5h to 100%


Charging 5h



Color

G





The two new cordless versions dedicated to indoor and outdoor spaces are born from the Playground collection: JIVE and DADA. Linear and functional, they easily adapt to multiple types of environments.

A LED light point, natural as the sun obtained from the patented Kriladesign system.

collection

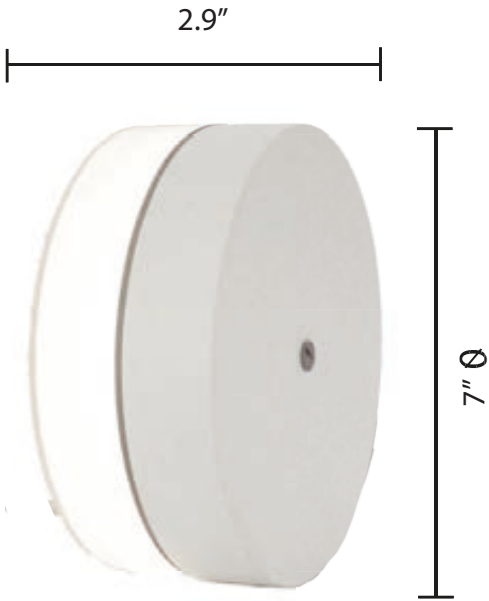
PLAYGROUND

by Emilia Burchiani

7005. JIVE Battery lamp

Fixture housing made from Polycarbonate and aluminum
Diffuser made from polymethylmethacrylate (PMMA)

Featuring Kriladesign's patented natural refraction system
Total power consumption 3W
Neutral White (4000 K) LED
300 Lumens
Line voltage 100-240 VAC Frequency 50/60 HZ
Rechargeable led lighting system
with 3.7V battery, replaceable at the end of life
Switch for touch dimmer / variator
light intensity from 20 to 100%
with USB Type-C cable
Autonomy 15h to 20% and 5h to 100%
Charging 5h



Color

1



7006. DADA Battery lamp

Fixture housing made from Polycarbonate and aluminum
Diffuser made from polymethylmethacrylate (PMMA)

Featuring Kriladesign's patented natural refraction system

Total power consumption 3W

Neutral White (4000 K) LED

300 Lumens

Line voltage 100-240 VAC Frequency 50/60 HZ

Rechargeable led lighting system

with 3.7V battery, replaceable at the end of life

Switch for touch dimmer / variator

light intensity from 20 to 100%

with USB Type-C cable

Autonomy 15h to 20% and 5h to 100%

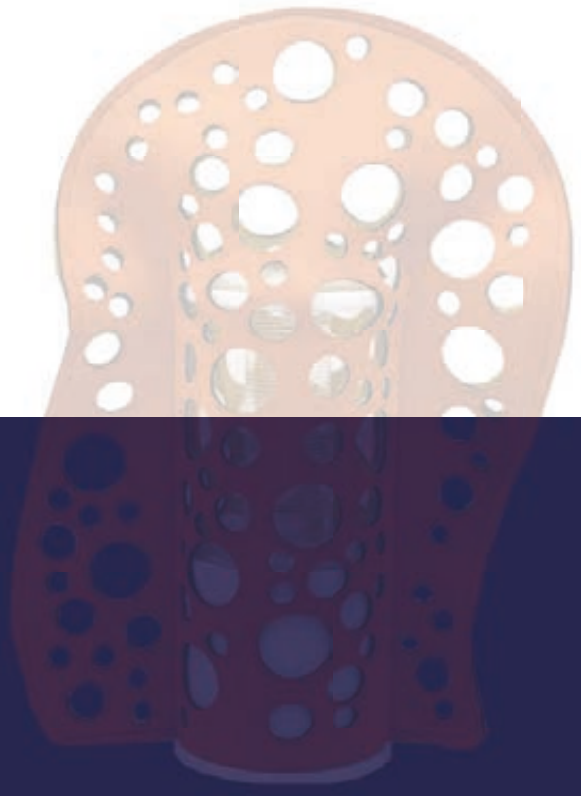
Charging 5h

Color

1



kriila®
d e s i g n



ACCESSORIES



Me Me

8001. Neoprene cover for table lamp

Color



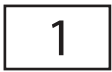
ONLINE outdoor



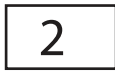
8002. Support for the entire ONLINE 70 outdoor collection



Color



white



trasparent



silver



light grey



gold



rust



bronze



anthracide



violet



fluo fuchsia



coral



sand



organ



coffee

Wood



natural birch wood



oakwood

Neoprene



B
green schrub



C
orange fantasy



D
blue fantasy



E
blue balls



F
orange balls

Kriladesign is registered to the RAEE - Register of Producer for Electrical and Electronic Devices.

All led lighting systems are patented.

Certifications

Kriladesign products comply with all the provisions of the relevant Union harmonisation acts applying to the products, and providing for CE marking. Equipments are in conformity with the applying EN harmonized standards and meet the essential requirements of the following European directive: Electromagnetic Compatibility, Low Voltage Directive, Rohs, Ecodesign and energy labelling. Krila equipments comply with Part 15 of the FCC rules.

All products are made in Italy and guaranteed by the 100% Made in Italy certification.

The IP codes of our indoor products are

Playground IP20

Essenza IP20

Old Age IP20

Meme e Giulia IP20

For all outdoor products the IP code is 44



CONDIZIONI GENERALI DI VENDITA

1. AFTER SALE ASSISTANCE

For any manufacturing defects, contact the USA representative who will, in agreement with the company and according to the terms indicated in the warranty, replace or repair. The bulbs in the fixtures with GU10 socket can be replaced independently.

Assistance

2. TEMPERATURE COLOR OF THE LEDS

Luminaires supplied at the factory at 4000 ° K (natural white light)

Warm white light fixtures are supplied on request for the following collections:

PLAYGROUND 2700°/5700°K

OUTDOOR Flat step marker 2700°/4000°K

OUTDOOR Online and Giù 2700°/5700°K

IN&OUT Zed floor lamp 2700°/5700°K

RECHARGABLE LAMPS 2700/4000°K

3. WARRANTY

Kriladesign guarantees to the Consumer that the Products are free from design defects and material as well as conforming to the descriptions published in the catalog.

The warranty lasts for 2 years

The application of any guarantee in case of non-compliant Product use is excluded to that of the Product and to the instructions / warnings on the matter provided by the company, or reported in the illustrative reference documentation, on the site on the "assistance" page and in the documents accompanying the appliances.

The main characteristics of the LEDs used by our company, which guarantee efficient after-sales, are able to cope with any problem and offer the best aesthetic solutions, high light efficiency and reduced energy consumption. They also guarantee a warm to natural shade of light, always excellent in quality with maximum color rendering.

The integrated LED luminaires treated by us are equipped with special heat sinks that allow the objects to have an average life ranging from 30,000 to 50,000 hours of use, keeping the brightness and hue unchanged and not releasing any ray harmful to the health of environments and people.

KRILADESIGN srl

C.da Mattonata 28/c
62019 Recanati (MC)
+ 39 071 980314
uff.vendite@kriladesign.com
www.kriladesign.com